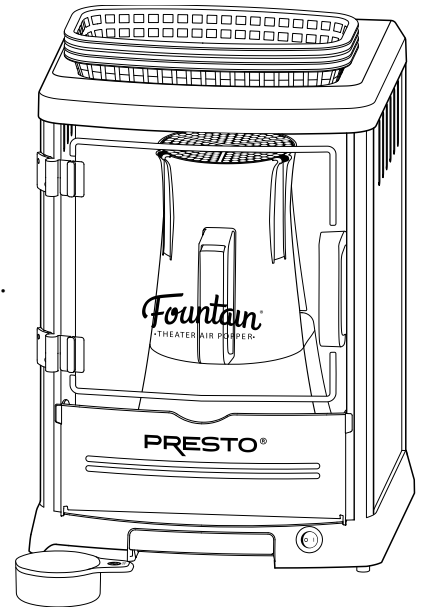


Fountain® Theater Air Popper

- A home-sized theater popper with incredible popping performance.
- Pops up to 20 cups in about 3½ minutes with virtually no unpopped kernels.
- Pops with hot air, not oil, for a low-fat treat.
- Pops like a fountain. Popcorn flows into cabinet as it pops.


Estas instrucciones también están disponibles en español.
Para obtener una copia impresa:

- Descargue en formato PDF en www.GoPresto.com/espanol.
- Envíe un mensaje de correo electrónico a contact@GoPresto.com.
- Llame al 1-800-877-0441, oprima 2 y deje un mensaje.



INSTRUCTIONS

©2015 National Presto Industries, Inc.

This is a  Listed appliance. The following important safeguards are recommended by most portable appliance manufacturers.

IMPORTANT SAFEGUARDS

To reduce the risk of personal injury or property damage, when using electrical appliances, basic safety precautions should always be followed, including the following:

1. Read all instructions before using the popcorn popper.
2. To protect against the risk of electrical shock, never put the cord, plug, or popper in water or other liquids.
3. This unit pops with hot air. Do not place oil, shortening, butter, or margarine in the popping chamber. Use of these substances will cause hazards and will damage the unit.
4. Do not touch hot surfaces. Use handles or knobs.
5. Close supervision is necessary when any appliance is used by or near children.
6. Always plug cord into the wall outlet before turning the unit on ("I"). To disconnect, turn switch to off ("O") before removing plug from wall outlet.
7. Unplug from outlet when not in use and before cleaning. Allow to cool before putting on or taking off parts and before cleaning the appliance.
8. Do not operate any appliance with a damaged cord or plug or in the event the appliance malfunctions or has been damaged in any manner. Return the appliance to the Presto Factory Service Department for examination, repair, or electrical or mechanical adjustment.
9. The use of accessory attachments not recommended or sold by the appliance manufacturer may cause injuries.
10. Do not let cord hang over edge of table or counter or touch hot surfaces.
11. Do not use outdoors.
12. Do not place on or near a hot gas or electric burner or in a heated oven.
13. Do not use appliance for other than intended use.

SAVE THESE INSTRUCTIONS

THIS PRODUCT IS FOR HOUSEHOLD USE ONLY.

Important Cord Information

- This appliance has a polarized plug (one blade is wider than the other). To reduce the risk of electric shock, this plug is intended to fit into a polarized outlet only one way. If the plug does not fit fully into the outlet, reverse the plug. If it still does not fit, contact a qualified electrician. Do not attempt to modify the plug in any way.
- A short power supply cord (or cord set) is provided to reduce the risk resulting from becoming entangled in or tripping over a longer cord. Extension cords may be used if care is properly exercised in their use.
- If an extension cord is used, the marked electrical rating of the extension cord should be at least as great as the electrical rating of the appliance. The extension cord should be arranged so that it will not drape over the countertop or tabletop where it can be pulled on by children or tripped over unintentionally.
- Connect the power supply cord to a 120VAC electrical outlet only.

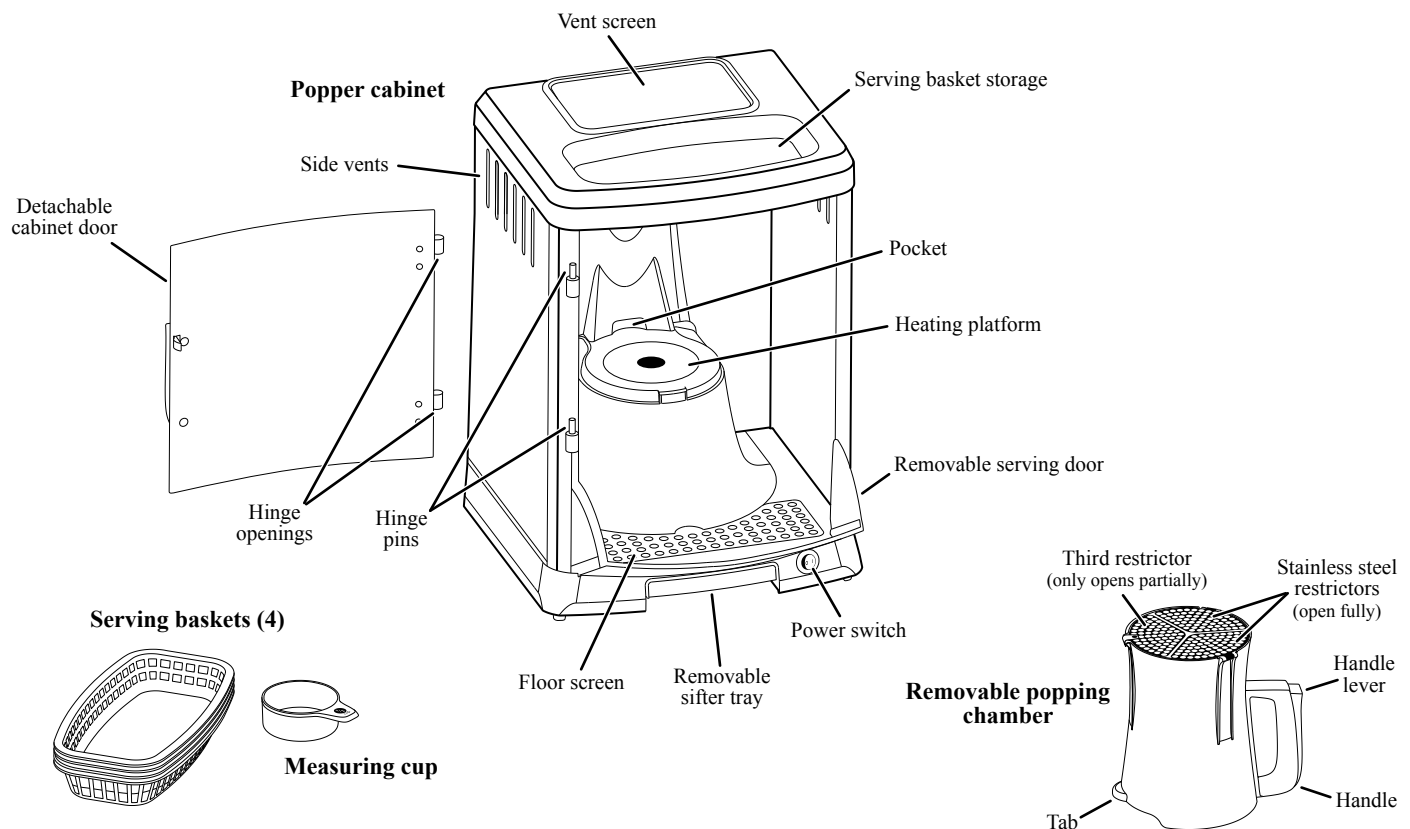
Before First Use

1. Remove all outer packaging surrounding the popper.
2. Position popper on a table, open the cabinet door, and carefully remove the packaging inside the cabinet.
3. Become familiar with the various parts of the popper (Fig. A) and read and follow the instructions carefully.
4. Prior to making your first batch of popcorn, clean the components as described in steps 3 through 6 in the “Care and Cleaning” section beginning on page 3.

How To Use

1. Plug the popper into a 120VAC electrical outlet.
2. Open the cabinet door by placing one hand on the cabinet top and pulling the door open by its handle. Grasp the popping chamber handle; while pressing the handle lever, lift the popping chamber up slightly off the heating platform and away from the back of the cabinet. Set the popping chamber on the countertop.
3. Lift open the two restrictors closest to the popping chamber handle.

Fig. A



NOTE: The two restrictors closest to the handle will open completely, but the third restrictor will only open partially. This is by design. **Do not force the third restrictor open completely.**

Fill the provided ½ cup measuring cup with regular or gourmet popping corn. Be sure it is level. Pour the corn into the popping chamber and return the restrictors to the closed position.

IMPORTANT: Use a level ½ cup of popping corn. Overloading the popping chamber may cause the unit to overheat and shut off. It may also cause smoking and scorched corn.

WARNING! Do not place salt, seasoning, butter, margarine, shortening, or microwave popcorn in the popping chamber or popper cabinet as this could damage the popper and cause a fire hazard.

4. Position the removable popping chamber on the heating platform, fitting the tab on the base in the pocket on the back of the popper cabinet (Fig. B). While grasping the handle, firmly push the popping chamber down until you hear it lock in place. Pull the chamber towards you to ensure it is securely in place.

IMPORTANT: For best popping performance, do not block the cabinet vent screen (Fig. B).

5. Close the popper cabinet door and press the “I” on the on/off switch to turn the unit on. Popping will begin in about 2 minutes.

When you turn the unit on, and also during popping, you may notice popcorn chaff releasing from the top of the popper cabinet as a result of the hot air blowing. This is normal.

CAUTION! To prevent steam burns, keep hands and face well away from the top of the popper cabinet and the side vents during popping.

6. At the first sign that popping is slowing (about 1 to 2 seconds between pops), turn the unit off by pressing the “O” on the on/off switch.
7. Open the cabinet door and remove the popping chamber. Empty the remaining popcorn from the popping chamber into the popper cabinet or into the serving baskets.

CAUTION! To prevent burns, do not touch the bottom of the popping chamber, the restrictors on top of the popping chamber, or the heating platform.

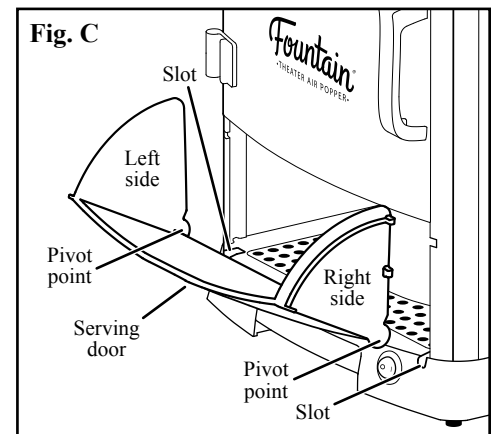
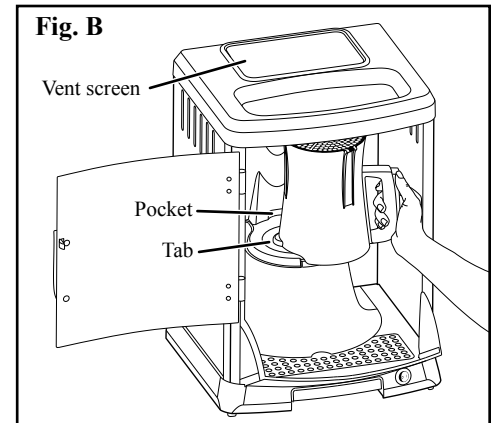
8. The popper cabinet holds two batches of popcorn. Prior to making a second batch, clear any popcorn kernels from the heating platform using a paper towel or cloth. Then follow steps 3 through 6.

When making a second batch of popcorn, once popping begins open the serving door (Fig. C) to accommodate the extra volume of popcorn. When popping slows (about 1 to 2 seconds between pops), turn the unit off, open the cabinet door, and carefully remove the popping chamber from the heating platform.

Pour the remaining popcorn from the popping chamber into the serving baskets. Do not leave popcorn in the popping chamber as it may scorch.

CAUTION! Never leave the popper unattended while in use.

9. Fill the serving baskets and season popcorn to taste.



Care and Cleaning

1. Allow the popper to cool before cleaning.
2. Push any popcorn hulls, small pieces, and any unpopped kernels to the floor screen, so they fall into the sifter tray. If pieces are too large to fall into the sifter tray, lift the floor screen out of the cabinet and discard the pieces. Slide the sifter tray out from the cabinet and discard the contents.
3. The cabinet door and serving door are removable for easy cleaning. Open the cabinet door and lift it straight up off the hinges. Tilt the serving door out. Then, while squeezing the left and right sides of the door together slightly, lift the door straight up and out of the door opening.
4. Wipe the interior and exterior of the popper cabinet with a damp cloth. Do not use steel wool or abrasive cleaners.
5. Clean the cabinet door, serving door, floor screen, sifter tray, and measuring cup with a damp cloth. Wash the serving baskets in warm, sudsy water.

After cleaning and drying, reposition the floor screen and sifter tray in the popper cabinet. Store the serving baskets on top of the popper cabinet.

6. Reattach the cabinet door; align the pins with the hinge openings (Fig. A, page 2) and push the door down.

Reattach the serving door to the cabinet; with the PRESTO® logo toward you, squeeze the left and right sides of the door together slightly and insert the pivot points on the bottom of the door in the slots on the bottom of the door opening (Fig. C, page 3). Rotate the door to the closed position.

7. Wipe the popping chamber, including the bottom seal, with a soft, dry cloth. **Never immerse the popping chamber in water or other liquid. Do not wash in a dishwasher.** Store the popping chamber on the heating platform.

Questions and Answers

How can I get salt and other seasoning to stick to my popcorn so it has more flavor?

Before adding salt or seasoning, lightly spray popcorn in baskets with no stick cooking spray. Salt and seasoning will adhere better and give the popcorn more flavor.

My popper shuts off immediately after I turn it on, and I notice a scorched corn odor. Why?

You are using more than a level ½ cup of popping corn. Overloading the popping chamber may cause the unit to overheat and shut off. It may also cause smoking and scorched corn. Should the unit shut off, press the “O” on the on/off switch and remove the popping chamber from the heating platform. Empty any popped or unpopped corn from the chamber.

Allow the popper to cool for 15 minutes before using again; be sure to use the measuring cup provided.

My popper turns on, but my popcorn doesn't pop and I can smell scorched corn. What is happening?

You may not have the popping chamber correctly positioned on the heating platform. For proper positioning, be sure to fit the tab on the base in the pocket on the back of the popper cabinet (Fig. B, page 3). While grasping the handle, firmly push the popping chamber down until you hear it lock in place. Pull the chamber towards you to ensure it is securely in place.

Although I am getting great popping performance, sometimes the corn is scorched. What is causing this?

You may not be turning the popper off soon enough. Remember that at the first sign that popping is slowing (1 to 2 seconds between pops), turn the unit off and remove the popping chamber from the heating platform. Pour the remaining popcorn from the popping chamber into the serving baskets. Do not leave popcorn in the popping chamber as it may scorch.

What kinds of popcorn can I use in this popper?

This popper is designed to pop yellow, white, and premium brands, such as Orville Redenbacher's® Gourmet® Popping Corn. Try different brands to find the one you like best. Yellow popcorn generally pops into larger kernels than white.

How important is fresh popcorn? Can I use popping corn that has been open for awhile?

For best popping performance, always use fresh corn. When corn is fresh, it contains more moisture. It is the moisture inside each kernel that is the key to great popcorn. When heated, the internal moisture expands until the kernel explodes into the fluffy mass that we all love to eat. Old popcorn or popcorn that is not stored properly tends to dry out and may not have enough moisture to pop properly.

To keep popcorn from drying out, store popcorn in a tightly sealed container. Do not store popcorn in a refrigerator or freezer as this can dry out the kernels quickly. Popcorn that is stored properly will last for a long time.

Alternatively, if you believe your corn has dried out, you can use the following procedure to add moisture. Try adding a little bit of water to the popping corn. Add 1 tablespoon per quart of popcorn. Then place the corn in an airtight container and shake at frequent intervals until the popcorn has absorbed the water. Wait for 3 or 4 days and then try popping the corn.

Consumer Service Information

If you have any questions regarding the operation of your PRESTO® appliance or need parts for your appliance, contact us by any of these methods:

- Call 1-800-877-0441 weekdays 8:00 AM to 4:00 PM (Central Time)
- Email us through our website at www.GoPresto.com/contact
- Write: National Presto Industries, Inc.
Consumer Service Department
3925 North Hastings Way
Eau Claire, WI 54703-3703

When contacting the Consumer Service Department, please indicate the model number and the series code for the Popcorn Popper. These numbers can be found on the bottom of the popper cabinet.

Please record this information:

Model Number _____ Series Code _____ Date Purchased _____

Inquiries will be answered promptly by telephone, email, or letter. When emailing or writing, please include a phone number and a time when you can be reached during weekdays if possible.

The Presto Factory Service Department is equipped to service PRESTO® appliances and supply genuine PRESTO® parts. Genuine PRESTO® replacement parts are manufactured to the same exacting quality standards as PRESTO® appliances and are engineered specifically to function properly with its appliances. Presto can only guarantee the quality and performance of genuine PRESTO® parts. "Look-alikes" might not be of the same quality or function in the same manner. To ensure that you are buying genuine PRESTO® replacement parts, look for the PRESTO® trademark.

Canton Sales and Storage Company
Presto Factory Service Department
555 Matthews Drive
Canton, MS 39046-3251

PRESTO® Limited Warranty

(Applies Only in the United States)

This quality PRESTO® appliance is designed and built to provide many years of satisfactory performance under normal household use. Presto pledges to the original owner that should there be any defects in material or workmanship during the first year after purchase, we will repair or replace it at our option. Our pledge does not apply to damage caused by shipping. ***Outside the United States, this limited warranty does not apply.***

To obtain service under the warranty, please call our Consumer Service Department at 1-800-877-0441. If unable to resolve the problem, you will be instructed to send your PRESTO® appliance to the Presto Factory Service Department for a quality inspection; shipping costs will be your responsibility. When returning an appliance, please include your name, address, phone number, and the date you purchased the appliance as well as a description of the problem you are encountering with the appliance.

We want you to obtain maximum enjoyment from using this PRESTO® appliance and ask that you read and follow the instructions enclosed. Failure to follow instructions, damage caused by improper replacement parts, abuse, misuse, or neglect will void this pledge. This warranty gives you specific legal rights, and you may also have other rights which vary from state to state. This is Presto's personal pledge to you and is being made in place of all other express warranties.

NATIONAL PRESTO INDUSTRIES, INC.
EAU CLAIRE, WI 54703-3703