

## IA Pressure Regulator

This pressure regulator acts as a safety device to prevent pressure in excess of 15 pounds from building in the pressure canner.

## IB 3-piece Adjustable Pressure Regulator

This pressure regulator controls and maintains the correct pressure in the canner. The regulator includes removable weights that adjust for 5, 10, or 15 pounds pressure. Desired pressure is obtained when the pressure regulator begins a gentle rocking motion.

## 2 Vent Pipe

The vent pipe is the primary pressure relief valve and will release pressure in excess of the desired pressure when pressure canning. The pressure regulator sits loosely on the vent pipe. It is also necessary to “vent” air from the canner by allowing steam to flow from the vent pipe for a specified length of time before the pressure regulator is put in place.

## 3 Air Vent/Cover Lock

The air vent/cover lock automatically “vents” or exhausts air from the pressure canner and acts as a visual indicator of pressure in the canner. For canning, this device is primarily used in locking the cover and indicating the presence of pressure in the canner.

## 4 Sealing Ring

The sealing ring fits into a groove in the pressure canner cover and forms a pressure-tight seal between the cover and the body.

## 5 Canning/Cooking Rack

This rack must be placed in the bottom of the pressure canner to hold jars off the bottom of the unit while canning.

## 6 Locking Bracket

The locking bracket on the inside of the pressure canner body engages with the air vent/cover lock to prevent the cover from being opened when there is pressure in the unit. Pressure canners manufactured before 1979 do not have cover locking devices. On units manufactured after that date, the design of the device will vary by brand and, therefore, may be different than illustrated here.

## 7 Overpressure Plug

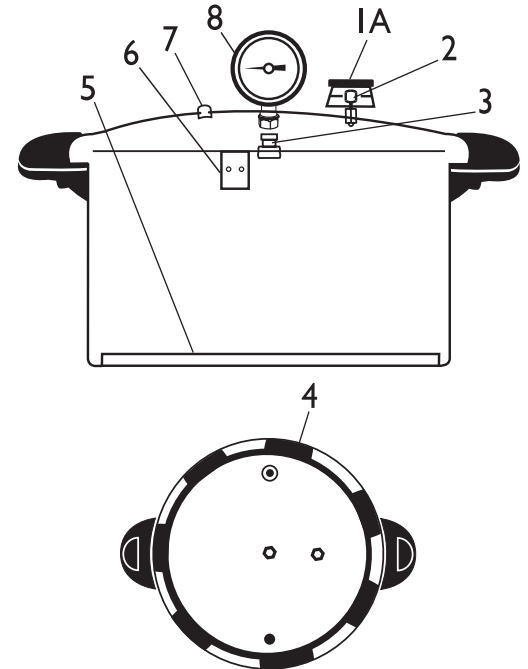
The overpressure plug is the secondary pressure relief device and will automatically release pressure if the vent pipe becomes clogged and pressure cannot be released as normal. All pressure canners have some type of overpressure release. The design of this device, however, varies widely by brand and model.

## 8 Pressure Dial Gauge

The dial gauge has a pointer which moves over a readable dial and indicates the pressure within the canner. The gauge does not regulate pressure.



## Dial Gauge Pressure Canner



## Weighted Gauge Pressure Canner

